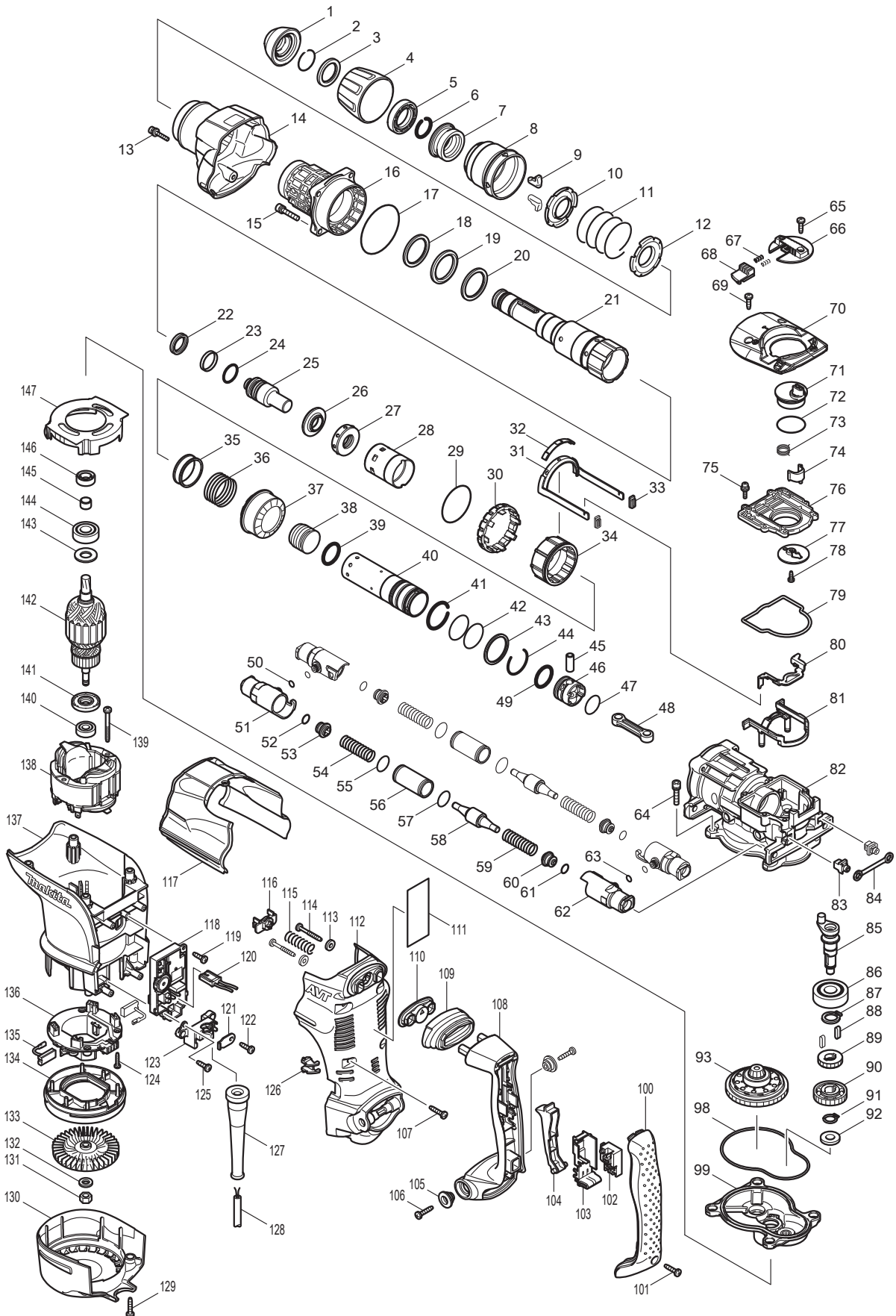




11 - 2009

HR4511C

SDS-MAX 1-3/4" ROTARY HAMMER



Item No.	Type	Sub	Part No.	Description	Qty	Unit
001		2	286285-4	TOOL HOLDER CAP	1	PC.
002			233948-3	RING SPRING 25	1	PC.
003			257280-1	RING 28	1	PC.
004			450064-8	CHUCK COVER	1	PC.
005			419002-9	SPACER	1	PC.
006			233948-3	RING SPRING 25	1	PC.
007			324752-2	CHUCK RING	1	PC.
008			450030-5	RELEASE COVER	1	PC.
009			310178-4	TOOL RETAINER	2	PC.
010			345804-6	SPRING GUIDE	1	PC.
011			233496-2	COMPRESSION SPRING 49	1	PC.
012			345804-6	SPRING GUIDE	1	PC.
013			922148-7	HEX. SOCKET HEAD BOLT M4X25	1	PC.
014			158300-3	BARREL COVER COMPLETE	1	PC.
015			922353-6	HEX.SOCKET HEAD BOLT M6X30	4	PC.
016			158576-2	* BARREL COMPLETE	1	PC.
		INC.	213480-3	* OIL SEAL 35	1	PC.
		INC.	214507-2	* PLANE BEARING 36	1	PC.
		INC.	214601-0	* PLANE BEARING 48	1	PC.
		INC.	233964-5	* RING SPRING 50	1	PC.
		INC.	213604-1	* O RING 50	1	PC.
017			213754-2	O RING 71	1	PC.
018			267357-4	FLAT WASHER 36	1	PC.
019			262135-7	RUBBER RING 36	1	PC.
020			267357-4	FLAT WASHER 36	1	PC.
021			324872-2	TOOL HOLDER	1	PC.
022			213980-3	X-RING 21	1	PC.
023			213431-6	FLUORIDE RING 28	1	PC.
024			213394-6	O RING 23	1	PC.
025			324802-3	IMPACT BOLT	1	PC.
026			324805-7	RING 19	1	PC.
027			424032-7	RUBBER RING 20	1	PC.
028			450024-0	SLIDE SLEEVE	1	PC.
029			213656-2	O RING 53	1	PC.
030			450031-3	LOCK SLEEVE	1	PC.
031			165465-4	LINK ARM	1	PC.
032			450032-1	LINK ARM GUIDE	1	PC.
033			424024-6	SEAL PLATE	2	PC.
034			324800-7	DRIVING SLEEVE	1	PC.
035			331599-7	RING 38	1	PC.
036			234024-6	COMPRESSION SPRING 39	1	PC.
037			227526-9	STRAIGHT BEVEL GEAR 35	1	PC.
038			324804-9	STRIKER	1	PC.
039			213981-1	O-RING 27	1	PC.
040			324803-1	CYLINDER 34	1	PC.
041			233956-4	RING SPRING 37	1	PC.
042			213460-9	O RING 35	2	PC.
043			257283-5	RING 38	1	PC.
044			233955-6	RING SPRING 36	1	PC.
045			331598-9	PIPE 10	1	PC.
046			450025-8	PISTON	1	PC.
047			213407-3	O RING 26	1	PC.
048			450026-6	CONECTING ROD	1	PC.
049			213981-1	O-RING 27	1	PC.
050			213030-4	O RING 8	2	PC.

Item No.	Type	Sub	Part No.	Description	Qty	Unit
051			318169-9	PIPE HOLDER	2	PC.
052			213118-0	O RING 12	2	PC.
053			450027-4	SPRING GUIDE	2	PC.
054			234023-8	COMPRESSION SPRING 14	2	PC.
055			213373-4	O RING 22	2	PC.
056			331778-7	PIPE 20	2	PC.
057			213373-4	O RING 22	2	PC.
058			324806-5	COUNTER WEIGHT	2	PC.
059			234023-8	COMPRESSION SPRING 14	2	PC.
060			450027-4	SPRING GUIDE	2	PC.
061			213118-0	O RING 12	2	PC.
062			318169-9	PIPE HOLDER	2	PC.
063			213030-4	O RING 8	2	PC.
064			922353-6	HEX.SOCKET HEAD BOLT M6X30	4	PC.
065			266192-7	TAPPING SCREW 4X14	1	PC.
066			419020-7	CHANGE LEVER	1	PC.
067			233436-0	COMPRESSION SPRING 3	2	PC.
068			419009-5	LOCK BUTTON	1	PC.
069			266192-7	TAPPING SCREW 4X14	2	PC.
070			318170-4	CRANK CAP COVER	1	PC.
071	2		450687-2	* CRANK LEVER	1	PC.
072	5		213515-0	O RING 36	1	PC.
073			233506-5	TORSION SPRING 16	1	PC.
074			310207-3	LINK LEVER	1	PC.
075			911133-5	PAN HEAD SCREW M4X18	6	PC.
076	2		455525-3	CRANK CAP	1	PC.
077			345778-1	RETAINER PLATE	1	PC.
078	2		265014-8	* + PAN HEAD SCREW M4X12	1	PC.
079			424034-3	SEAL RING	1	PC.
080			345822-4	LINK PLATE	1	PC.
081			450029-0	LINK PLATE GUIDE	1	PC.
082			158297-6	CRANK HOUSING COMPLETE	1	PC.
083			419008-7	FIX GUIDE	2	PC.
084			423345-3	CUSHION PLATE	1	PC.
085			324801-5	CRANK SHAFT	1	PC.
086			211279-0	BALL BEARING 6303LLU	1	PC.
087			961057-5	RETAINING RING S-17	1	PC.
088			254220-0	KEY 5	2	PC.
089			227181-7	SPUR GEAR 19	1	PC.
090			226655-5	HELICAL GEAR 36	1	PC.
091			961054-1	RETAINING RING S-14	1	PC.
092			253180-3	FLAT WASHER 10	1	PC.
093			125415-1	TORQUE LIMITER ASS'Y	1	PC.
098			424033-5	SEAL RING	1	PC.
099			158299-2	GEAR HOUSING COMPLETE	1	PC.
100			419796-6	HANDLE COVER	1	PC.
101			265995-6	TAPPING SCREW 4X18	1	PC.
102	2		650676-9	SWITCH C3PA-1111	1	PC.
103			154626-1	SWITCH HOLDER COMPLETE	1	PC.
104			419025-7	SWITCH LEVER	1	PC.
105			313124-6	SHOULDER SLEEVE 6	2	PC.
106			266041-8	TAPPING SCREW 5X25	2	PC.
107			266041-8	TAPPING SCREW 5X25	6	PC.
108			419798-2	HANDLE	1	PC.
109			424035-1	DUST COVER	1	PC.

Item No.	Type	Sub	Part No.	Description	Qty	Unit
110			450028-2	DUST COVER SUPPORT	1	PC.
111			864096-3	HR4511C NAME PLATE	1	PC.
112			450038-9	HANDLE BASE	1	PC.
113			253807-5	FLAT WASHER 5	2	PC.
114			266211-9	TAPPING SCREW 5X40	2	PC.
115			233434-4	COMPRESSION SPRING 11	1	PC.
116			419013-4	SPRING GUIDE	1	PC.
117			450036-3	CRANK HOUSING COVER	1	PC.
118			631750-2	CONTROLLER	1	PC.
119	2		266901-4	TAPPING SCREW 4X14	1	PC.
120			638510-3	LEAD UNIT	1	PC.
121			687169-3	STRAIN RELIEF	1	PC.
122			266192-7	TAPPING SCREW 4X14	1	PC.
123			419024-9	CORD CLAMP BASE	1	PC.
124			265995-6	TAPPING SCREW 4X18	4	PC.
125	2		266901-4	TAPPING SCREW 4X14	1	PC.
126			419774-6	LENS	1	PC.
127			682560-0	CORD GUARD 10	1	PC.
128			664471-1	CORD W/PLUG 2P-14-5.0M	1	PC.
129			266041-8	TAPPING SCREW 5X25	2	PC.
130			450035-5	REAR COVER	1	PC.
131			252178-7	HEX. NUT M8-12	1	PC.
132			253165-9	FLAT WASHER 8	1	PC.
133			240016-5	FAN 90	1	PC.
134			419782-7	FAN GUIDE	1	PC.
135	3		195845-0	CARBON BRUSH CB-175 2PC/SET (W/ ORIGIN)	1	SET
136	2		632D00-2	BRUSH HOLDER UNIT	1	PC.
137			450041-0	MOTOR HOUSING	1	PC.
138			636311-3	FIELD 115V	1	PC.
139			266046-8	TAPPING SCREW 5X50	2	PC.
140			210059-1	BALL BEARING 6000DDW	1	PC.
141			681642-5	INSULATION WASHER	1	PC.
142			517766-0	ARMATURE ASS'Y 115V	1	PC.
		D10		INC. 140,141,145		
143			267025-9	FLAT WASHER 15	1	PC.
144			211238-4	BALL BEARING 6202LLU	1	PC.
145			331596-3	SLEEVE 12	1	PC.
146			213231-4	OIL SEAL 15	1	PC.
147			450033-9	BAFFLE PLATE	1	PC.
155			331840-8	* SHOULDER SLEEVE 19 (Added)	1	PC.
156			819362-3	CLEAR LABEL (Added)	1	PC.
<b>ACCESSORIES</b>			<b>- See Catalogue or visit <a href="http://www.makita.ca">www.makita.ca</a> for more accessories -</b>			
A01			158131-0	GRIP 36 COMPLETE F/HR4511C	1	PC.
A01A			123138-5	SIDE GRIP ASSEMBLY F/HR4511CV	1	PC.
		INC.	158131-0	GRIP 36 COM. (Item No. A01)	1	PC.
		INC.	234226-4	COMPRESSION SPRING 6	1	PC.
		INC.	266163-4	CSN BOLT M8X80	1	PC.
		INC.	313223-4	RACK GUIDE	1	PC.
		INC.	344492-6	PLATE	1	PC.
		INC.	346535-0	GRIP SPRING 73	1	PC.
		INC.	453114-8	LOCK BUTTON	1	PC.
		INC.	453119-8	SIDE GRIP BASE 73	1	PC.
A02	4		196188-3	PLASTIC CARRYING CASE SET	1	PC.
		INC.	892400-6	INDICATION LABEL	1	PC.

Item No.	Type	Sub	Part No.	Description	Qty	Unit
A02A			196192-2	PLASTIC CARRYING CASE F/HR4511CV	1	PC.
		INC.	892400-6	INDICATION LABEL	1	PC.
		INC.	817105-7	CAUTION LABEL	1	PC.
A03	2		194683-7	GREASE VESSEL SET, 100CC, PUMP TYPE, FOR BIT	1	PC.
		INC.	817105-7	CAUTION LABEL	1	PC.
A04			134890-0	SIDE HANDLE 68 ASS'Y, D-STYLE F/HR4511C	1	PC.
		INC.	151769-0	SIDE HANDLE BASE 68 COMPLETE	1	PC.
		INC.	252640-2	WING NUT M8	1	PC.
		INC.	265439-6	HEX. BOLT M8X150	1	PC.
		INC.	417002-3	SIDE HANDLE CAM	2	PC.
		INC.	417003-1	SIDE HANDLE	1	PC.
A04A			135531-1	SIDE HANDLE 73 ASS'Y, D-STYLE F/HR4511CV	1	PC.
		INC.	141519-1	SIDE HANDLE BASE 73 COMPLETE	1	PC.
		INC.	252640-2	WING NUT M8	1	PC.
		INC.	265439-6	HEX. BOLT M8X150	1	PC.
		INC.	417002-3	SIDE HANDLE CAM	2	PC.
		INC.	417003-1	SIDE HANDLE	1	PC.
A05			443122-7	CLOTH	1	PC.
A06A			123066-4	DEPTH GAUGE B ASSEMBLY	1	PC.
A07A			162332-4	DUST COVER COMPLETE	1	PC.
A08			321248-4	DEPTH GAUGE	1	PC.
A08A			331955-1	DEPTH GAUGE	1	PC.
A09A			424472-9	DUST COVER CAP	2	PC.
A10A			444034-7	FIXED BAND	1	PC.
A11A	1		453115-6	JOINT	2	PC.
	2		455810-4	JOINT	2	PC.
A12A			453118-0	BELLOWS	2	PC.
A13A			453674-0	JOINT 25	1	PC.
A14			892062-0	HR4511C PLASTIC CASE LABEL	2	PC.
A14A			800H53-5	HR4511CV PLASTIC CASE LABEL	2	PC.
A15A			453710-2	SPACER (F/ fitting Dust Extractor Attachment) (F/HR4511CV)	1	PC.
A16A			196074-8	SDS-MAX DUST EXTRACTION ATTACHMENT (F/HR4511CV) (See Parts Breakdown 196074-8) Item No. A01A, A06A - A13A	1	PC.
		INC.				
A17	2		195210-3	HAMMER SERVICE KIT SET	1	SET
		INC.	A-90582	MAKITA GREASE R NO.00, 30G, 10OZ (HAMMER GREASE)	1	PC.
		INC.	195845-0	CARBON BRUSH SET CB-175 2PC/SET W/ORIGIN)	1	SET
		INC.	213394-6	O RING 23	1	PC.
		INC.	213431-6	FLUORIDE RING 28	1	PC.
		INC.	213980-3	X RING 21	1	PC.
		INC.	213981-1	O RING 27	1	PC.
		INC.	286285-4	TOOL HOLDER CAP	1	PC.
A18			135209-6	GRIP 36 ASS'Y (F/HR4511CV)	1	PC.
		INC.	265701-9	SCREW M6X14	1	PC.
		INC.	266163-4	CUP SQUARE NECK BOLT M8X80	1	PC.
		INC.	158131-0	GRIP 36 COMPLETE	1	PC.
		INC.	931302-2	HEX. NUT M6	1	PC.
		INC.	416299-1	SIDE GRIP BASE 68	1	PC.
		INC.	344492-6	PLATE	1	PC.
		INC.	344491-8	GRIP SPRING 68	1	PC.
		INC.	321248-4	DEPTH GAUGE	1	PC.
		INC.	142350-8	HOSE COMPLETE 28 - 1.5	1	PC.

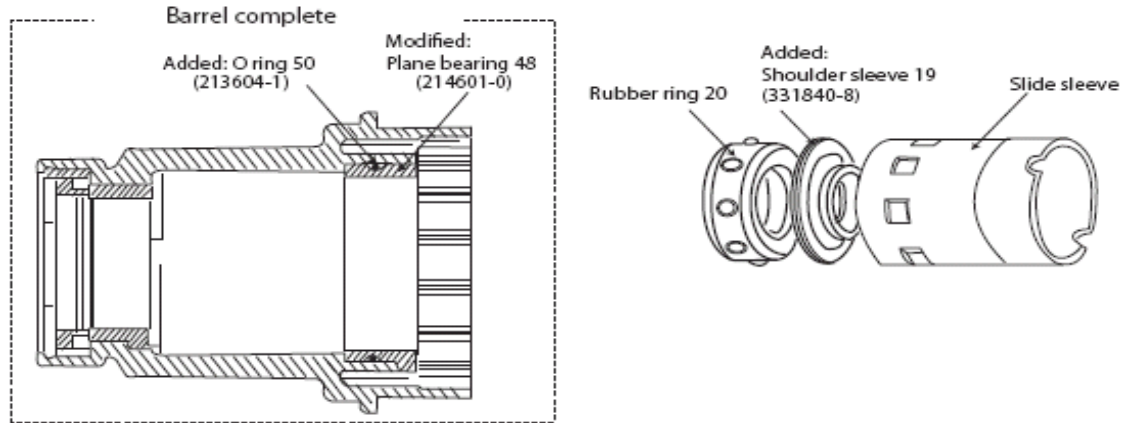
Item No.	Type	Sub	Part No.	Description	Qty	Unit
		INC.	415021-3	HOSE JOINT	1	PC.
		INC.	454749-8	HOSE HOLDER A	1	PC.
		INC.	454750-3	HOSE HOLDER B	1	PC.
		INC.	454809-6	HOSE HOLDER C	1	PC.
		INC.	-----	PLASTIC CASE LABEL (N/A Individually)	1	PC.
		INC.	-----	CARTON (Master) (N/A Individually)	1	PC.
		INC.	-----	Instruction Manual 30Language (N/A Individually)	1	PC.
		INC.	195545-2	FRONT CUFF 38 PKG (BULK# 417766-9)	1	PC.
		INC.	195547-8	FRONT CUFF 22	1	PC.
A19	1		196571-4	DUST EXTRACTOR ATTACHMENT SET	1	PC.
	2		199019-5	DUST EXTRACTOR ATTACHMENT SET	1	PC.

**SERVICE CHANGES**

**1. Changes on Barrel Complete, etc.**

(T/I#80510)

Item No.	Description	Type 1	Type 2
016	BARREL COMPLETE	158576-2 (Part No. remains the same)	
016	Oring 50 (Component of Barrel Com.)	----	213604-1
155	SHOULDER SLEEVE 19	----	331840-8



**2. Changes on Crank Lever, Tapping Screw**

(T/I#80510)

Item No.	Description	Type 1	Type 2
071	CRANK LEVER	419784-3	450687-2
078	TAPPING SCREW	266020-6	265014-8

Above parts are completely interchangeable as a set.

